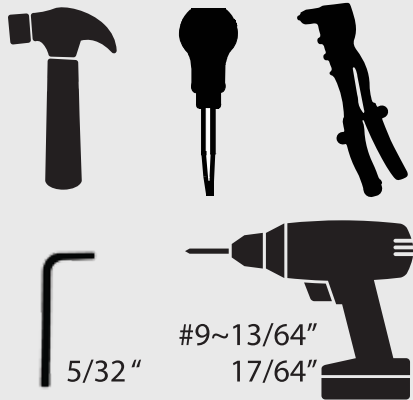


INSTRUCTIONS ON INSTALLING THE M-7000 / M-1000

Tools Needed:



1.



2.



Remove cylinder and lock, if already installed.

3.



Working space should be empty before beginning installation.

4.



Align drill template with cylinder cutout. You may use an adhesive to hold in place.

5.



Using drill punch, mark 5 hole locations.

6.



Drill 5 holes, according to sizes indicated on template.

7.



Using one or two rivets to hold the open M-Series device in place, tighten back screw with Allen wrench.

8.



Use Pop-rivet gun to pop all 4 rivets.

INSTRUCTIONS ON INSTALLING THE M-7000 / M-1000

9.



Replace lock into door.

10.



Replace cylinder.

11.



Tighten Cylinder.

12.



Replace latch cover.

13.



Close door and ensure proper alignment of lock.

14.



Slide M-Series device closed.

